

INTERNATIONAL STANDARD

ISO
6259-3

First edition
1997-12-15

Thermoplastics pipes — Determination of tensile properties —

Part 3: Polyolefin pipes

*Tubes en matières thermoplastiques — Détermination des caractéristiques
en traction —*

Partie 3: Tubes en polyoléfines

This material is reproduced from ISO documents under International Organization for Standardization (ISO) Copyright License number IHS/ICC/1996. Not for resale. No part of these ISO documents may be reproduced in any form, electronic retrieval system or otherwise, except as allowed in the copyright law of the country of use, or with the prior written consent of ISO (Case postale 56, 1211 Geneva 20, Switzerland, Fax +41 22 734 10 79), IHS or the ISO Licensor's members.



Reference number
ISO 6259-3:1997(E)

[MEHR AB HAYAT SANAAT KERMAN](http://www.mehrsanat.ir)
www.mehrsanat.ir

ISO 6259-3:1997(E)**Foreword**

ISO (the International Organization for Standardization) is a worldwide federation of national standards bodies (ISO member bodies). The work of preparing International Standards is normally carried out through ISO technical committees. Each member body interested in a subject for which a technical committee has been established has the right to be represented on that committee. International organizations, governmental and non-governmental, in liaison with ISO, also take part in the work. ISO collaborates closely with the International Electrotechnical Commission (IEC) on all matters of electrotechnical standardization.

Draft International Standards adopted by the technical committees are circulated to the member bodies for voting. Publication as an International Standard requires approval by at least 75 % of the member bodies casting a vote.

International Standard ISO 6259-3 was prepared by Technical Committee ISO/TC 138, *Plastics pipes, fittings and valves for the transport of fluids*, Subcommittee SC 5, *General properties of pipes, fittings and valves of plastic materials and their accessories — Test methods and basic specifications*.

ISO 6259 consists of the following parts, under the general title *Thermoplastics pipes — Determination of tensile properties*:

- *Part 1: General test method*
- *Part 2: Pipes made of unplasticized poly(vinyl chloride) (PVC-U), chlorinated poly(vinyl chloride) (PVC-C) and high-impact poly(vinyl chloride) (PVC-HI)*
- *Part 3: Polyolefin pipes*

Annexes A to E of this part of ISO 6259 are for information only.

© ISO 1997

All rights reserved. Unless otherwise specified, no part of this publication may be reproduced or utilized in any form or by any means, electronic or mechanical, including photocopying and microfilm, without permission in writing from the publisher.

International Organization for Standardization
Case postale 56 • CH-1211 Genève 20 • Switzerland
Internet central@iso.ch
X.400 c=ch; a=400net; p=iso; o=isocs; s=central

Printed in Switzerland

Thermoplastics pipes — Determination of tensile properties —

Part 3: Polyolefin pipes

1 Scope

This part of ISO 6259 specifies a method of determining the tensile properties of polyolefin (polyethylene, cross-linked polyethylene, polypropylene and polybutene) pipes, and in particular the following properties:

- the stress at yield;
- the elongation at break.

NOTES

- 1 The properties of butt fusion welds may be assessed by using machined test pieces of the types specified in this document.
- 2 The general method of test for the determination of the tensile properties of thermoplastics pipes is given in ISO 6259-1.

This part of ISO 6259 also gives, for information purposes only, the corresponding basic specifications in annexes A to D.

2 Normative reference

The following standard contains provisions which, through reference in this text, constitute provisions of this part of ISO 6259. At the time of publication, the edition indicated was valid. All standards are subject to revision, and parties to agreements based on this part of ISO 6259 are encouraged to investigate the possibility of applying the most recent edition of the standard indicated below. Members of IEC and ISO maintain registers of currently valid International Standards.

ISO 6259-1:1997, *Thermoplastics pipes — Determination of tensile properties — Part 1: General test method.*

3 Principle

See clause 3 of ISO 6259-1:1997, as applicable to thermoplastics covered by this part of ISO 6259.

4 Apparatus

See clause 4 of ISO 6259-1:1997.

5 Test pieces

5.1 Nature of the test pieces

5.1.1 General

Where the thickness of the pipe is less than or equal to 12 mm, the test pieces shall be cut using a die or obtained by machining. Where the thickness of the pipes is greater than 12 mm the test pieces shall be machined.

5.1.2 Dimensions of test pieces

Test pieces shall be either of type 1, the shape and dimensions of which are given in figure 1 and table 1, type 2, the shape and dimensions of which are given in figure 2 and table 2 or type 3, the shape and dimensions of which are given in figure 3 and table 3. The choice of test piece is dependent on the wall thickness of the pipe from which it is taken (see 5.2).

NOTES

1 The type 1 test piece is identical to the type 1B specified in ISO 527-2:1993. The smaller test piece is identical to the type 2 specified in ISO 6259-2.

2 In order to avoid slippage in the grips, it is recommended that the width of the ends of the test piece (b_2) be increased in proportion to the thickness (e_n) in accordance with the following equation:

$$b_2 = e_n + 15 \text{ (mm)}$$

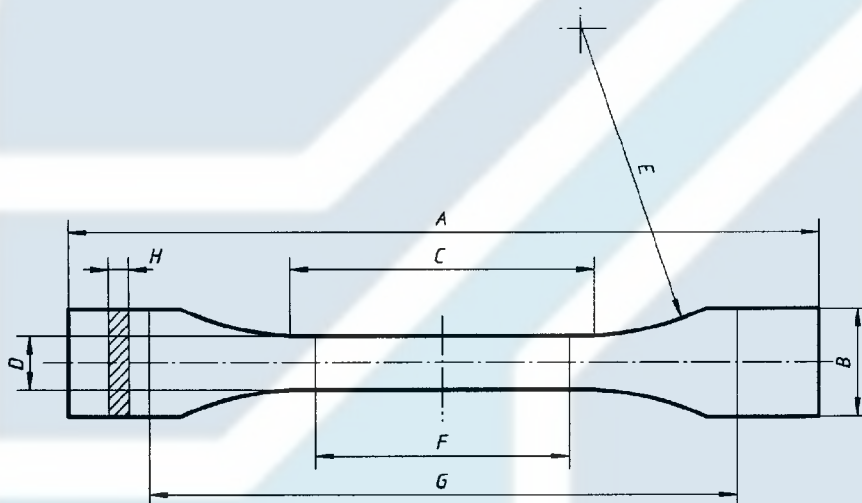


Figure 1 — Type 1 test piece

Table 1 — Dimensions of type 1 test pieces

Symbol	Description	Dimensions mm
A	Overall length (min.)	150
B	Width of ends	$20 \pm 0,2$
C	Length of narrow, parallel-sided portion	$60 \pm 0,5$
D	Width of narrow, parallel-sided portion	$10 \pm 0,2$
E	Radius	60
F	Gauge length	$50 \pm 0,5$
G	Initial distance between grips	$115 \pm 0,5$
H	Thickness	That of the pipe

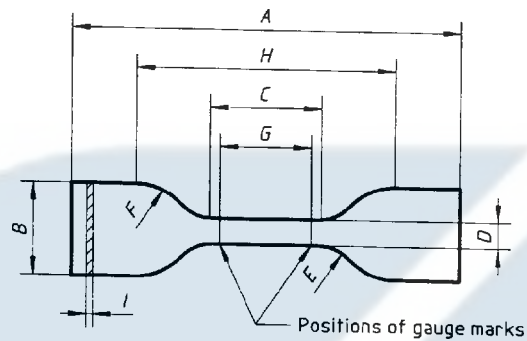


Figure 2 — Type 2 test piece

Table 2 — Dimensions of type 2 test pieces

Symbol	Description	Dimensions mm
A	Overall length (min.)	115
B	Width of ends	25 ± 1
C	Length of narrow, parallel-sided portion	33 ± 2
D	Width of narrow, parallel-sided portion	6 ^{+0,4} ₀
E	Small radius	14 ± 1
F	Large radius	25 ± 2
G	Gauge length	25 ± 1
H	Initial distance between grips	80 ± 5
I	Thickness	That of the pipe

MAHCO

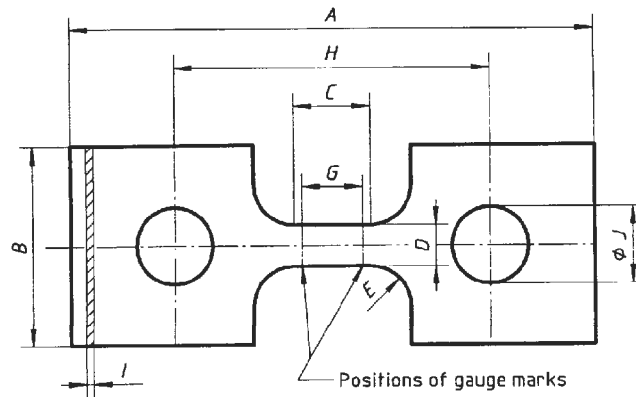


Figure 3 — Type 3 test piece

Table 3 — Dimensions of type 3 test pieces

Symbol	Description	Dimensions mm
A	Overall length (min.)	250
B	Width of ends	100 ± 3
C	Length of narrow, parallel-sided portion	25 ± 1
D	Width of narrow, parallel-sided portion	25 ± 1
E	Radius	25 ± 1
G	Gauge length	20 ± 1
H	Initial distance between centres of loading pins	165 ± 5
I	Thickness	That of the pipe
J	Diameter of hole	30 ± 5

5.2 Preparation of test pieces

The test pieces shall be taken from the centre of strips cut from the length of pipe in accordance with 5.2.1 of ISO 6259-1:1997 and with item a) or item b) below, as applicable.

a) Pipes of wall thickness less than or equal to 12 mm

The test pieces shall be prepared by cutting with a die or machining to the following shape:

- type 1, for wall thicknesses less than or equal to 12 mm but greater than 5 mm;
- type 2, for wall thicknesses less than or equal to 5 mm.

b) Pipes of wall thickness greater than 12 mm

Test pieces shall be prepared by machining. They shall be of type 1 or type 3.

5.3 Cutting method (see 5.2.2.2 in ISO 6259-1:1997)

Use a cutting die (4.6 in ISO 6259-1:1997) with a profile corresponding to that of the type 1 or type 2 test piece, depending on thickness of the pipe.

Cut out the test piece at ambient temperature, applying the die cutter to the inner surface of the strip and exerting a continuous uniform pressure.

5.4 Machining method

See 5.2.2.3 in ISO 6259-1:1997.

6 Conditioning

See clause 6 of ISO 6259-1:1997.

7 Test speed

The test speed, i.e. the speed of separation of the grips, shall depend on the thickness of the pipes, as specified in table 4.

If other speeds are used, the correlation between these and the specified speed shall be shown. The speed specified shall be used in cases of dispute.

Table 4 — Test speeds

Nominal wall thickness of pipe e_n mm	Method of preparation of test piece	Type of test piece	Test speed mm/min
$e_n \leq 5$	Die cutting or machining	Type 2	100
$5 < e_n \leq 12$	Die cutting or machining	Type 1	50
$e_n > 12$	Machining	Type 1	25
$e_n > 12$	Machining	Type 3	10

8 Procedure

See clause 8 of ISO 6259-1:1997.

NOTE — If the elongation of the test pieces reaches 1 000 %, the test may be stopped before rupture.

9 Expression of results

See clause 9 of ISO 6259-1:1997.

10 Test report

See clause 10 of ISO 6259-1:1997.

Annex A (informative)

Polyethylene pipes — Basic specification

It is recommended that the mean elongation at break of polyethylene pipes, measured under the test conditions given in ISO 6259-1, is as follows:

$$\varepsilon \geq 350 \%$$

NOTES

- 1 No basic specification is given for the stress at yield.
- 2 The overall requirement for test pieces taken from butt welds is that they fail in a ductile mode, i.e. by a cold-draw mechanism.

The logo for MAHCO is a large, stylized, light blue graphic consisting of several overlapping, curved shapes that form a shield-like or abstract architectural structure. Below this graphic, the word "MAHCO" is written in a large, bold, light blue serif font.

MAHCO

Annex B (informative)

Cross-linked polyethylene pipes — Basic specification

It is recommended that the mean elongation at break of cross-linked polyethylene pipes, measured under the test conditions given in ISO 6259-1, is as follows:

$$\varepsilon \geq 350 \%$$

NOTE — No basic specification is given for the stress at yield.

The logo for MAHCO is a large, stylized, light blue graphic consisting of several overlapping, curved shapes that form a shield-like or flame-like pattern. Below this graphic, the word "MAHCO" is written in a large, bold, light blue serif font.

MAHCO

Annex C (informative)

Polypropylene pipes — Basic specification

It is recommended that the mean elongation at break of the following types of polypropylene pipe:

- homopolymer;
- block copolymer (heterophasic);
- random copolymer;

measured under the test conditions given in ISO 6259-1, is as follows:

$$\varepsilon \geq 200 \%$$

NOTE — No basic specification is given for the stress at yield.

The logo for MAHCO is a large, stylized, light blue graphic consisting of several overlapping, curved shapes that form a shield-like or flame-like pattern. Below this graphic, the word "MAHCO" is written in a large, bold, light blue serif font.

MAHCO

Annex D (informative)

Polybutene pipes — Basic specification

It is recommended that the mean elongation at break of polybutene pipes, measured under the test conditions given in ISO 6259-1, is as follows:

$$\varepsilon \geq 250 \%$$

NOTE — No basic specification is given for the stress at yield.



Annex E (informative)

Bibliography

- [1] ISO 527-2:1993, *Plastics — Determination of tensile properties — Part 2: Test conditions for moulding and extrusion plastics.*
- [2] ISO 6259-2:1997, *Thermoplastics pipes — Determination of tensile properties — Part 2: Pipes made of unplasticized poly(vinyl chloride) (PVC-U), chlorinated poly(vinyl chloride) (PVC-C) and high-impact poly(vinyl chloride) (PVC-HI).*

The logo for MAHCO is a large, stylized, light blue graphic consisting of several overlapping, curved shapes that form a central, abstract figure. Below this graphic, the word "MAHCO" is written in a large, bold, light blue serif font.

MAHCO



ICS 23.040.20

Descriptors: pipes (tubes), polyolefins, plastic tubes, tests, tension tests, determination, tensile properties.

Price based on 10 pages

MEHR AB HAYAT SANAAT KERMAN
www.mehrsanat.ir